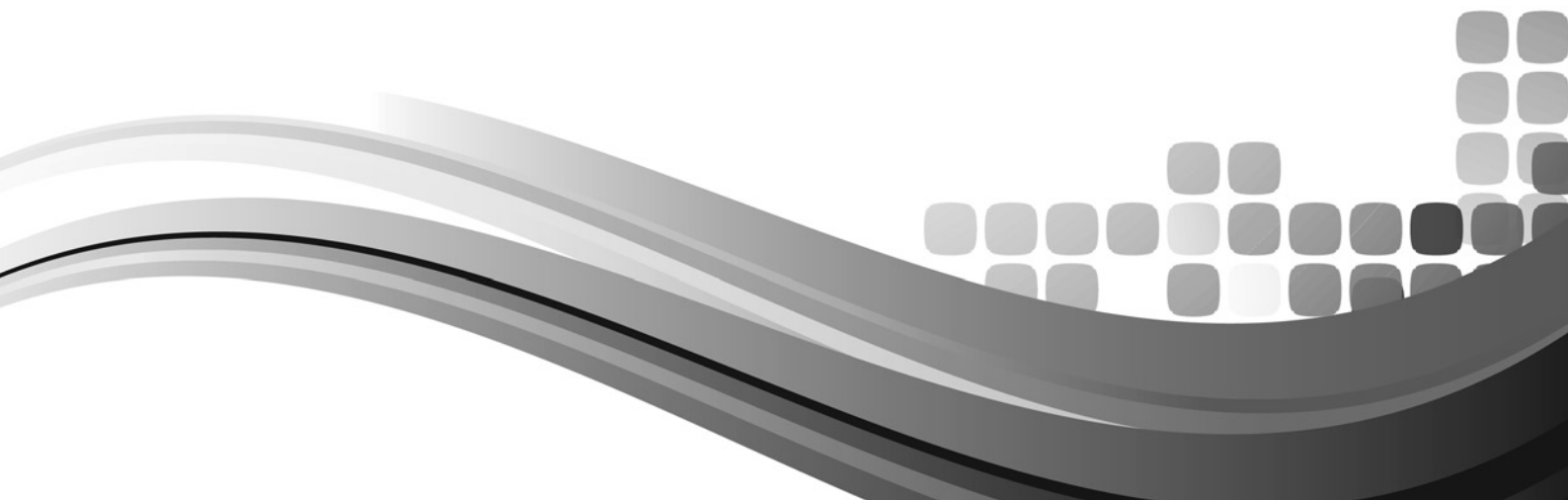




INSTALLATION AND OPERATION MANUAL

AMIS26

2 INPUT, 6 OUTPUT DISTRIBUTION AMPLIFIER



IMPORTANT SAFETY INFORMATION

1. Read these instructions.
2. Keep these instructions.
3. Heed all warnings.
4. Follow all instructions.
5. Do not use this apparatus near water.
6. Clean only with dry cloth.
7. Do not block any ventilation openings. Install in accordance with the manufacturer's instructions.
8. Do not install near any heat sources such as radiators, heat registers, stoves, or other apparatus (including amplifiers) that produce heat.
9. Do not defeat the safety purpose of the polarized or grounding-type plug. A polarized plug has two blades with one wider than the other. A grounding type plug has two blades and a third grounding prong. The wide blade or the third prong are provided for your safety. If the provided plug does not fit into your outlet, consult an electrician for replacement of the obsolete outlet.
10. Protect the power cord from being walked on or pinched particularly at plugs, convenience receptacles, and the point where they exit from the apparatus.
11. Only use attachments/accessories specified by the manufacturer.
12. Use only with the cart, stand, tripod, bracket, or table specified by the manufacturer, or sold with the apparatus. When a cart is used, use caution when moving the cart/apparatus combination to avoid injury from tip-over.
13. Unplug this apparatus during lightning storms or when unused for long periods of time.
14. Refer all servicing to qualified service personnel. Servicing is required when the apparatus has been damaged in any way, such as power-supply cord or plug is damaged, liquid has been spilled or objects have fallen into the apparatus, the apparatus has been exposed to rain or moisture, does not operate normally, or has been dropped.
15. This appliance shall not be exposed to dripping or splashing water and that no object filled with liquid such as vases shall be placed on the apparatus.
16. Plug this apparatus to the proper wall outlet and make the plug to be disconnected readily operable.
17. Mains plug is used as disconnected device and it should remain readily operable during intended use. In order to disconnect the apparatus from the mains completely, the mains plug should be disconnected from the mains socket outlet completely.
18. **WARNING:** To reduce the risk of fire or electric shock, do not expose this apparatus to rain or moisture.
19. An appliance with a protective earth terminal should be connected to a mains outlet with a protective earth connection.
20. The apparatus should be disconnected from the mains completely before speaker wiring. The speaker output should be proper protected from direct contact and pay attention to speaker connections, terminals and speaker wiring during normal operation.



PRÉCAUTIONS DURANT UTILISATION

1. LISEZ ces instructions.
2. Tenez ces instructions.
3. Notez tous les avertissements.
4. Suivez toutes les avertissements.
5. N'utilisez pas ce produit près de l'eau (la piscine, la plage, le lac, etc.).
6. Nettoyez seulement avec une étoffe sèche.
7. Ne bloquez aucuns trous de ventilation. Installez en accord avec les instructions du fabricant.
8. N'installez près aucunes sources de chaleur comme radiateurs, registres de chaleur, fours ou les autres équipements (y compris amplificateurs) qui produisent la chaleur.
9. Ne défaits pas le but de sécurité de la fiche polarisée ou base-type. Une fiche polarisée a deux tranchants avec un plus large que l'autre. Une fiche de base type a deux tranchants et une troisième pointe de base, le tranchant large ou la troisième pointe est fourni pour votre sécurité. Si la fiche donnée ne conforme pas votre prise de contact, consultez un électricien pour remplacement de la prise de contact obsolète.
10. Protégez le cordon de secteur contre être marchée dessus ou pincez en particulier aux fiches, aux douilles de convenance, et au point où ils sortent de l'appareil.
11. Seulement utilisez attachements/accessoires spécifiés par le fabricant.
12. Utilisez seulement avec un chariot, un stand, un trépied, un support ou une table indiquée par le fabricant, ou vendue avec l'appareil. Quand un chariot est utilisé, faites attention en déplaçant la combinaison d'appareil/chariot pour éviter de se déséquilibrer.
13. Arrachez la fiche du dispositif durant éclair et orage ou quand pas utilisé pour longues périodes de temps.
14. Référez au personnel qualifié de service pour toutes réparations. La réparation est donnée quand le système a été endommagé à n'importe façon, par exemple un fil ou une fiche endommagé(e) de la source d'alimentation. Avoir été exposé à pluie ou humidité, n'opère pas normalement, ou avoir été tombé.
15. L'appareil ne doit pas être exposé aux écoulements ou aux éclaboussures et aucun objet ne contenant de liquide, tel qu'un vase, ne doit être placé sur l'objet.
16. Branchez l'appareil à une source appropriée et faire que la prise à débrancher soit facilement accessible.
17. La prise du secteur ne doit pas être obstruée ou doit être facilement accessible pendant son utilisation. Pour être complètement déconnecté de l'alimentation d'entrée, la prise doit être débranchée du secteur.
18. **AVERTISSEMENT:** Pour éviter le risque d'incendie ou de chocs électriques, ne pas exposer cet appareil à la pluie ou à l'humidité.
19. Un appareil avec la borne de terre de protection doit être connecté au secteur avec la connexion de terre de protection.
20. Assurez-vous que l'appareil est hors tension avant de connecter les hauts parleurs. Vérifiez que la sortie des enceintes soit protégées contre un contact physique. Respecter les polarités des terminaux ainsi que le câblage des enceintes pendant le fonctionnement afin d'assurer une utilisation sécurisée.





AMIS26

The Australian Monitor Installation Series AMIS26 is a high quality 2 input, 6 output distribution amplifier.

The AMIS26's 2 inputs can be balanced or unbalanced and each input's sensitivity can be switched between Mic and Line level. 15VDC Phantom power is individually switchable per input and for ease of setup, a four segment LED level meter is provided per input.

Each of the AMIS26's inputs is individually assignable to any of the 6 outputs via front panel DIP switches. Outputs can be balanced or unbalanced and feature up to 30dB of attenuation, so they can be run as any combination of line level or mic level outputs. Ample label space is provided for both inputs and outputs and the AMIS26 is powered via a supplied 20VAC power supply.

The AMIS26 provides a low noise, feature packed, signal routing solution to cover a wide range of installation needs at a contractor friendly price.

INTRODUCTION	3
FRONT PANEL	4
REAR PANEL	5
INSTALLATION	6
TROUBLESHOOTING AND BLOCK DIAGRAM	7
FUNCTIONAL NOTES AND INTERNAL ADJUSTMENTS	8
DIMENSIONS	9
SPECIFICATIONS	10
NOTES	11

AUS, EUR, USA
Rev E: Oct 2014

WARNING!

TO PREVENT FIRE OR SHOCK HAZARD, DO NOT USE THE PLUG WITH AN EXTENSION CORD, RECEPTACLE OR OTHER OUTLET UNLESS THE BLADES CAN BE FULLY INSERTED TO PREVENT BLADE EXPOSURE.

TO REDUCE THE RISK OF FIRE OR ELECTRIC SHOCK, DO NOT EXPOSE THIS APPLIANCE TO RAIN OR MOISTURE.

TO PREVENT ELECTRICAL SHOCK, MATCH WIDE BLADE PLUG TO WIDE SLOT & FULLY INSERT.

CAUTION

THESE SERVICING INSTRUCTIONS ARE FOR USE BY QUALIFIED SERVICE PERSONNEL ONLY. TO REDUCE THE RISK OF ELECTRIC SHOCK DO NOT PERFORM ANY SERVICING OTHER THAN THAT CONTAINED IN THE OPERATING INSTRUCTIONS UNLESS YOU ARE QUALIFIED TO DO SO.



The lightning flash with arrowhead symbol, within an equilateral triangle, is intended to alert the user to the presence of uninsulated "dangerous voltage" within the product's enclosure that may be of sufficient magnitude to constitute a risk of electric shock to persons.

CAUTION

**RISK OF ELECTRIC SHOCK
DO NOT OPEN**

WARNING:

TO REDUCE THE RISK OF ELECTRIC SHOCK, DO NOT REMOVE COVER (OR BACK). NO USER SERVICEABLE PARTS INSIDE. REFER SERVICING TO QUALIFIED SERVICE PERSONNEL.



The exclamation point within an equilateral triangle is intended to alert the user to the presence of important operating and maintenance (servicing) instructions in the literature accompanying the appliance.

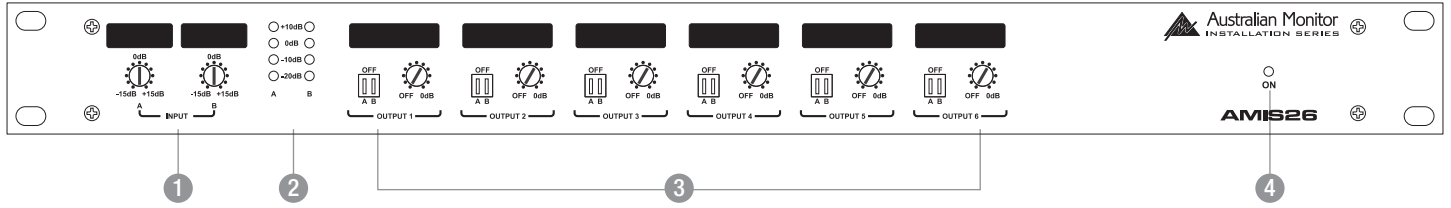


For European Union countries: This symbol on the product or its packaging indicates that this product must not be disposed of with other waste. Instead, it is your responsibility to dispose of your waste equipment by handing it over to a designated collection point for the recycling of waste electrical and electronic equipment. Please contact your local authority for further details of your nearest designated collection point.

Rating plate and caution marking are marked on the back enclosure of the apparatus



FRONT PANEL



1 Input Level Control(S)

The input level controls are screwdriver adjustable trim pots. The input level controls can boost or cut the input signal by up to 15dB.

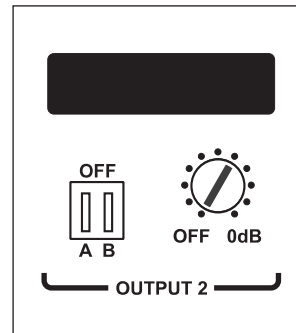
2 Level Meter

These 4 segment LED meters show the strength of each of the AMIS26's input signals. LED segments are calibrated to the following level markings and show the following colours:

- 20dBu (green)
- 10dBu (green)
- 0dBu (yellow)
- +10dBu (red)

4 Power Led

This blue LED indicates the unit is powered "on".



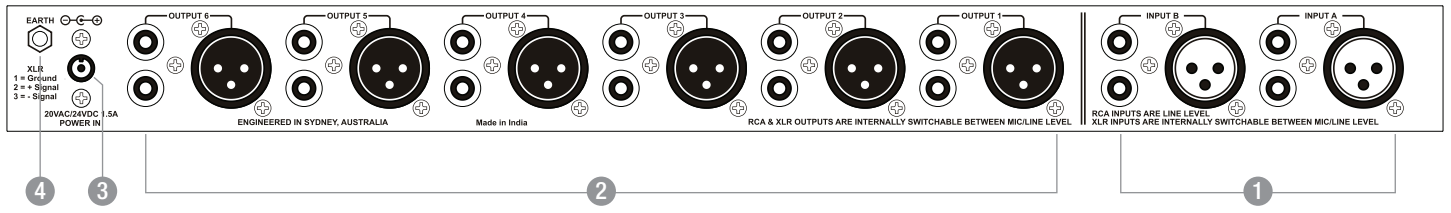
3 Output Section

3a Input Assign Switches

These recessed DIP switches assign input A and input B to a desired output.

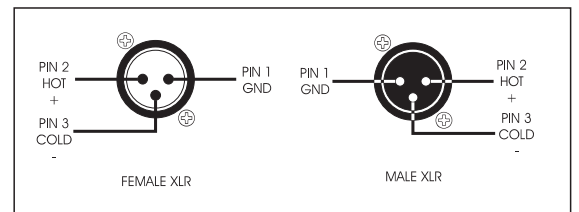
3b Output Level Controls

The output level controls are screwdriver adjustable trim pots. These level controls attenuate the output level, with a range from -60dB at 'Minimum' position to 0dB at "Maximum" position.



1 Input A/B Connectors

The balanced XLR inputs can be used as Mic or Line level inputs and are switched between input sensitivities via internal DIP switches accessed through the lid (see internal adjustments section page 6). The dual RCA inputs are Line level inputs only and are internally summed to mono.



2 Output Connectors

The AMIS26's outputs can be either balanced XLR or unbalanced dual RCA's. Both these outputs can be switched between Mic level & Line level via internal DIP switches accessed through the lid (see internal adjustments section page 6).

3 20VAC/24VDC Power Connector

This 2.1mm x 5.5mm power socket accepts 20VAC or 24VDC. For DC, tip is positive.

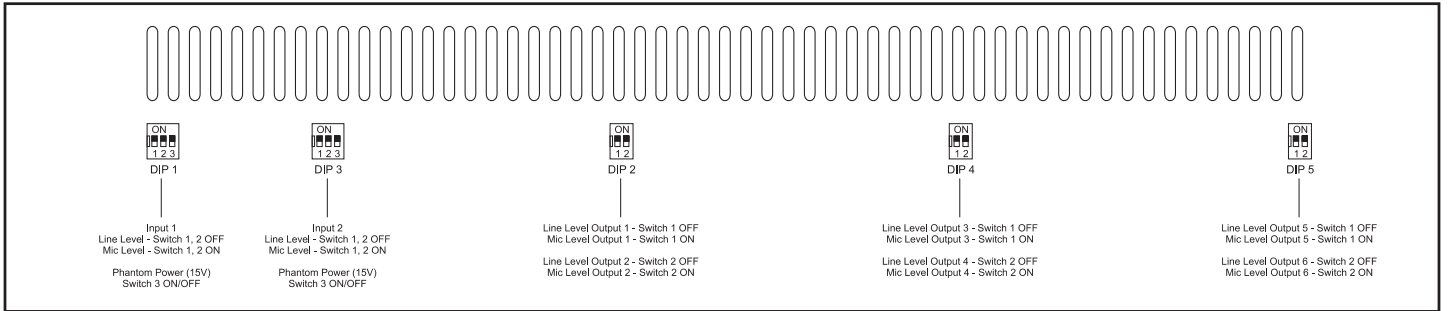
4 Earth Stud

In some circumstances it may be necessary to ground the unit to eliminate noise in the system. This can be done by using this earth stud.

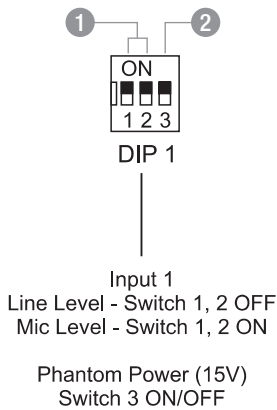
NOTE: This stud provides a connection to chassis ground. Audio ground is internally tied to chassis ground.



INTERNAL ADJUSTMENT



NOTE: The following adjustments involve access to the inside of the AMIS26 and should only be attempted by a qualified technician. All internal adjustments are accessible through the lid of the AMIS26. Always turn off the AC power and remove the AC power cord before accessing the inside of the AMIS26.



1 Input Sensitivity Dip Switches. Dip1 (Input A), Dip3 (Input B) Switches 1, 2

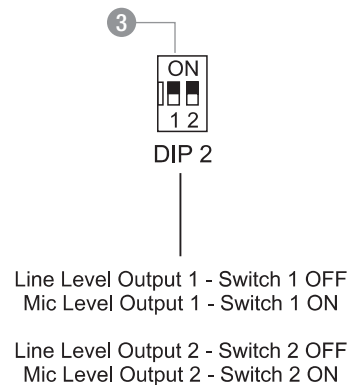
Switches 1 and 2 on this 3 pole DIP switch when selected to the “on” position will switch the balanced XLR input to Mic level. The “off” position will switch the balanced XLR input to Line level. The Default setting is Line level.

NOTE: This switch does not effect the sensitivity of the unbalanced dual RCA input.

2 Phantom Power Switch. Dip1 (Input A), Dip3 (Input B) Switch 3

This switch will enable 15VDC phantom power to the desired input. The default setting is “off”.

NOTE: Before switching Phantom power on please ensure that no line level source equipment is connected to the effected input.

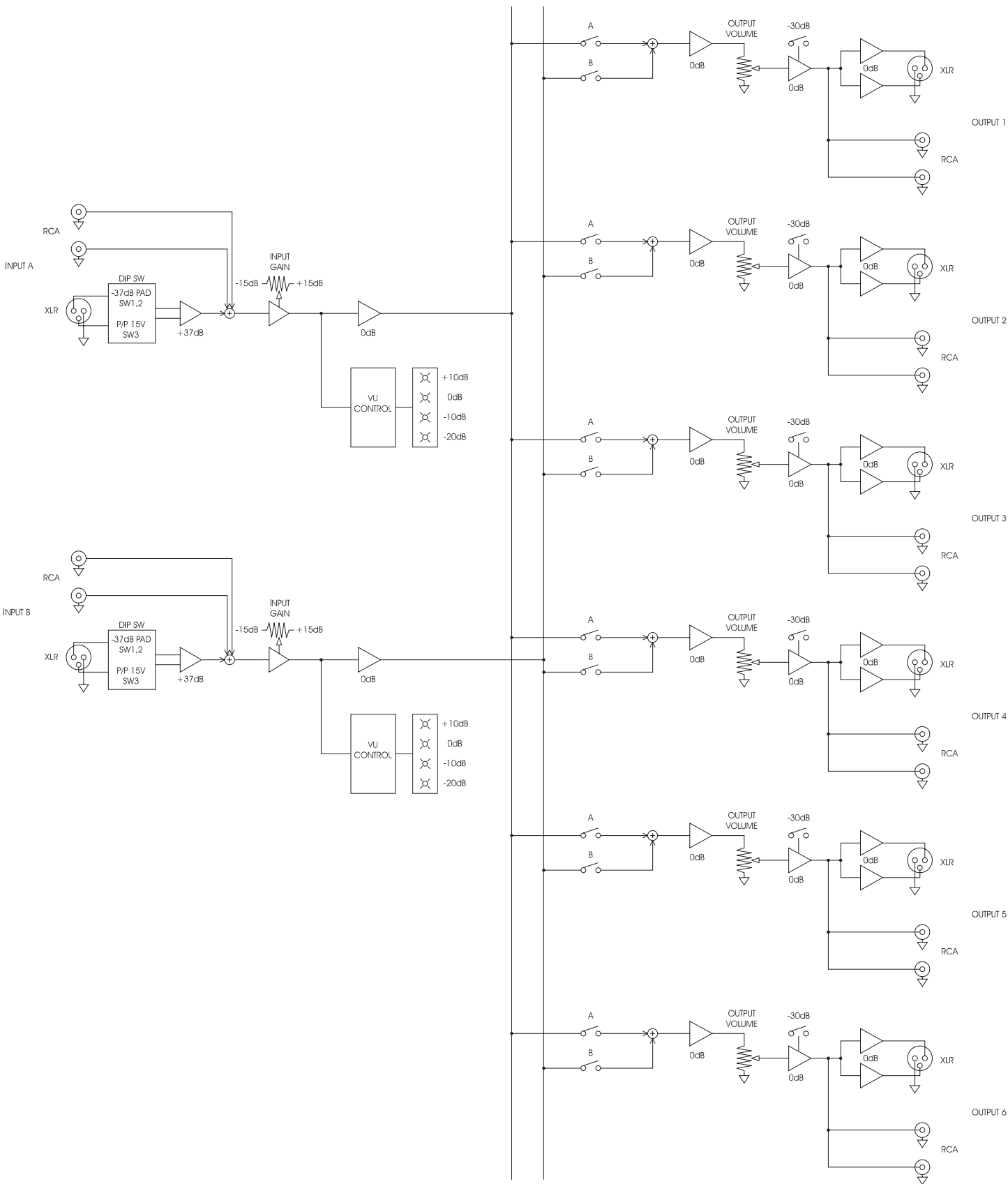


3 OUTPUT LEVEL DIP SWITCH.

- DIP 2 Switch 1 (OUTPUT 1)
- DIP 2 Switch 2 (OUTPUT 2)
- DIP 4 Switch 1 (OUTPUT 3)
- DIP 4 Switch 2 (OUTPUT 4)
- DIP 5 Switch 1 (OUTPUT 5)
- DIP 5 Switch 2 (OUTPUT 6)

This switch will change the output sensitivity of the desired output from Mic to Line level. When the switch is “on” the output level will be switched to Mic level.

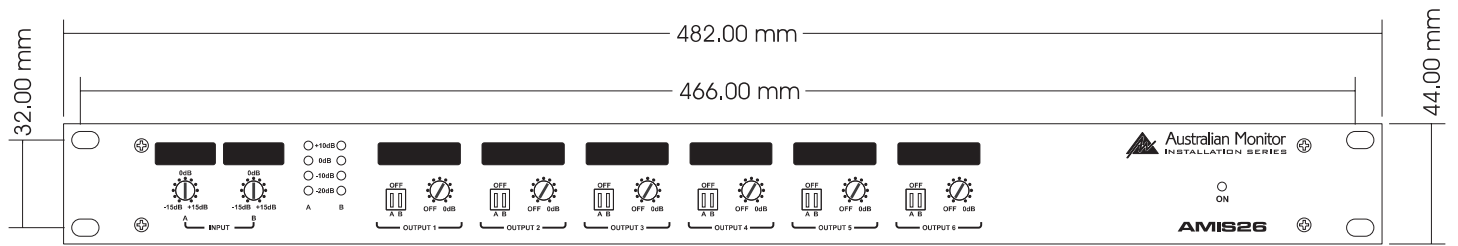
NOTE: This switch effects both balanced XLR & dual RCA outputs.



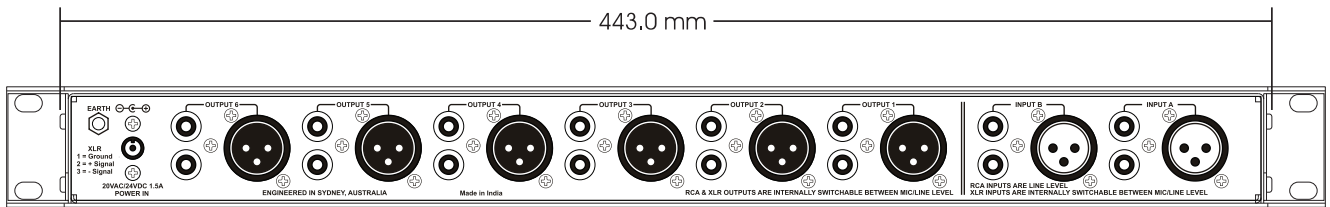


DIMENSIONS

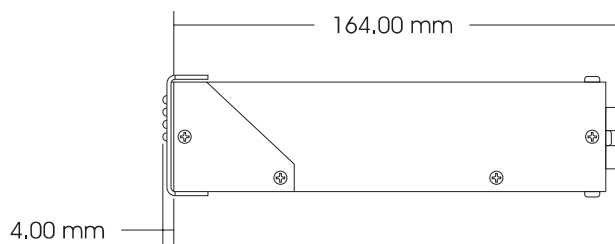
FRONT PANEL



REAR PANEL



SIDE PANEL





FREQUENCY RESPONSE (0dB/-3dB)	10Hz - 50kHz
THD	Line In (XLR/RCA) 0.02% Mic In (XLR) 0.1%
NOISE	-89dB
CROSSTALK	Better than 80dB
SENSITIVITY (For 0dBu Out)	
Line (XLR)	180mV (0dB)
Mic (XLR)	2.3mV (-37dB)
Line (RCA)	150mV (0dB)
OUTPUT MIC/LINE GAIN SWITCH	30dB
MAX IN/OUT (HEADROOM)	15dB
POWER INPUT	20VAC or 24VDC
POWER CONSUMPTION (Max)	12VA
PHANTOM POWER	15VDC
DIMENSIONS (W x D x H)	482mm x 168mm x 44mm (19" x 6.61" x 1.73")
SHIPPING DIMENSIONS (W x D x H)	506mm x 294mm x 94mm (19.9" x 11.5" x 3.7")
WEIGHT	
Net Weight	2.5kg (5.5lb)
Shipping Weight	3.5kg (7.7lb)

*All measurements referenced to 0dBu (0.775mV)
All measurements done with levels set In/Out at 0dB*



ENGINEERED BY AUSTRALIAN MONITOR

Address: Level 7, 130 Pitt Street, Sydney NSW 2000 Australia.

Website: www.australianmonitor.com.au International enquiries email: international@australianmonitor.com.au