

SVC 10 i

ceiling speaker | owners manual



SONODYNE[®]
INSTALLED SERIES

Placement • Dimensions

Congratulations on your purchase of the SVC 10i ceiling speaker.

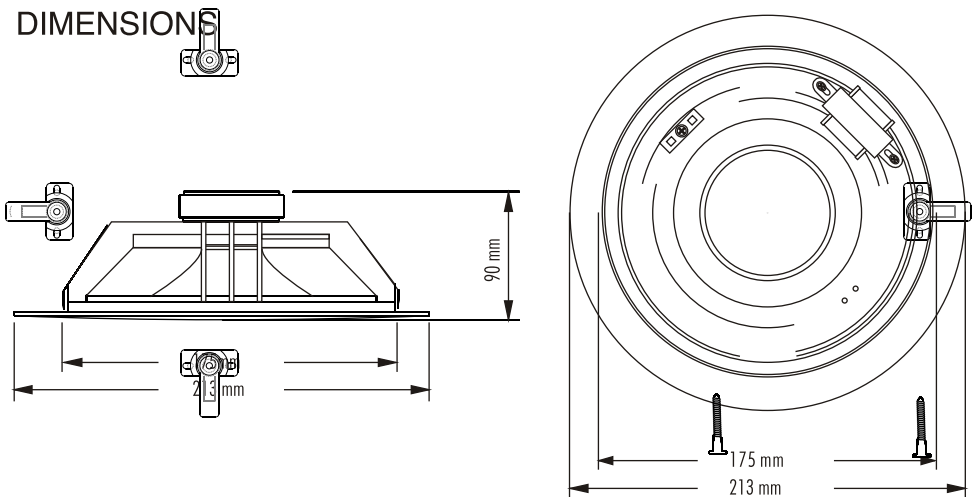
Please read the owners manual carefully to ensure proper installation and performance of the SVC 10i

For more details please write to us at response@sonodyne.com

PLACEMENT

Plan your speaker placement carefully. The SVC 10i must be mounted in the ceiling. They should be located so that they provide even coverage at your listening position.

DIMENSIONS



Installation

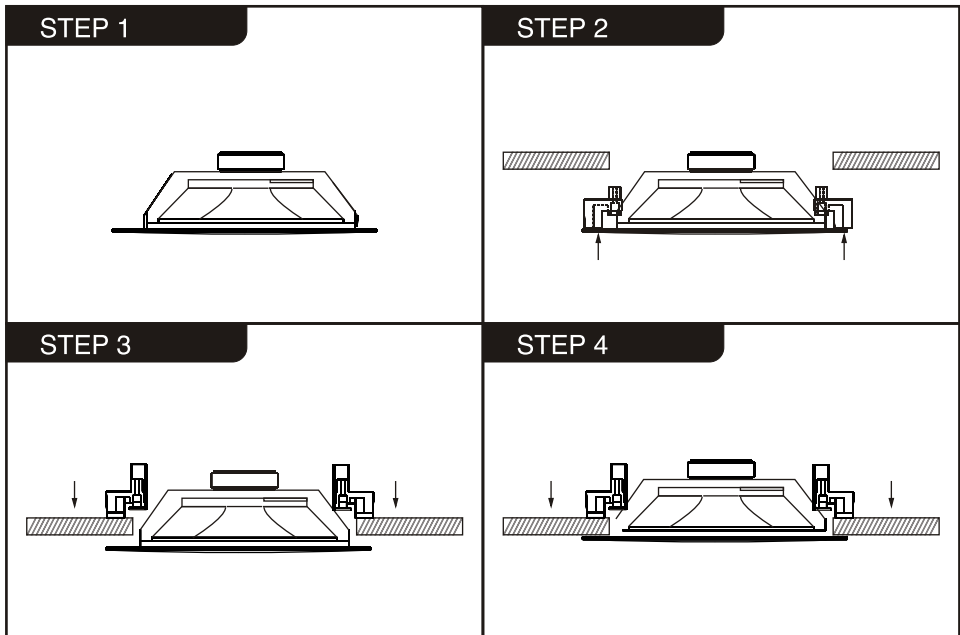
Make a cut-out in the ceiling for mounting the ceiling speaker. The dia of the cut-out should be 175 mm.

Installation tip: To enhance the performance of the SVC 10i, the wall cavity can be stuffed with fibreglass insulation.

Connect the amplifier 100V output line to the screw type terminal, taking care to maintain correct polarity.

Place the speaker in the wall opening. Make sure the speaker wire is not hanging against the speaker where it can vibrate and rattle as the speaker reproduces your music.

Caution: Do not over-tighten!



Specifications

DESCRIPTION	In ceiling speaker
GRILLE	MS
TRANSDUCER COMPLEMENTS	1 x 6" full range
INPUT	Flexible wires, yellow & black
SENSITIVITY (1 w/1 m) half space	91dB
FREQUENCY RESPONSE (-3dB)	80Hz ~ 16kHz
POWER TAP @ 100 V	5W
CEILING CUTOUT	175mm
EXTERNAL DIMENSIONS	Diameter: 213mm, Height: 90mm
NET WEIGHT	0.9Kg

Due to continuous improvements, specifications are subject to change



A product of the **Mukherjee Innovation Centre**

Manufactured by **Sonodyne Electronics Co. Pvt. Ltd.**, H.O.: 98 NB Block E New Alipore, Kolkata 700053, INDIA
response@sonodyne.com • www.sonodyne.com

Visit SONODYNE INDIA for
exciting offers & promotions

