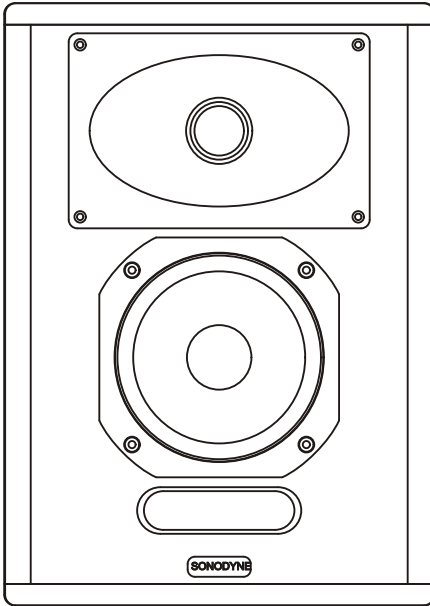


# SRT 101

2 way surround speaker | owners manual



## INTRODUCTION

The SRT 101 is a 2-way shallow-profile surround speaker. It comes fitted with a wall-mount bracket which allow it to be tilted in the vertical plane. For optimal performance, it must be connected with the SRT 101CS.

## DESCRIPTION

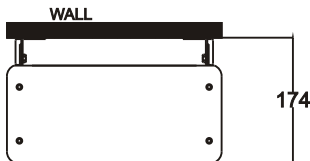
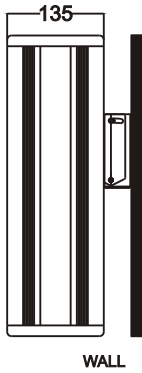
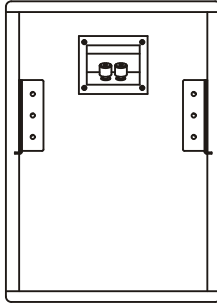
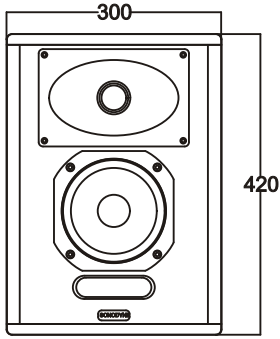
This is a 2-way speaker system with a 1" silk-dome tweeter mounted in a proprietary waveguide and a 6" Kevlar-cone woofer. The cabinet is vented, with an aero-dynamic front-mounted duct which greatly reduces air-flow noise caused by ports. The shallow depth of 6" allows it to be flush-mounted on a wall. Supplied mounting brackets permit easy installation.

The SRT 101 can be angled in the vertical plane by easy adjustment in the bracket. For optimal performance, it must be connected with the SRT 101CS.

## UNPACKING

To unpack the unit, place the unit vertically and cut open the straps which hold the top and bottom tray and the sleeve together. Lift the top tray. Next hold the sleeve with both hands, and slide it up. Inside you will find one SRT 101 speaker wrapped in a protective bag and resting on buffers to prevent damage to the speaker. Inspect the speaker for any sign of damage. Please retain all packing materials in case you have to transport the unit in future.

• SRT 101 dimensions •



# ● mounting ●

The SRT 101 speakers are mounted using the supplied brackets and hardware. First, the position of wall-mount brackets (fitted to the speaker) are marked on the wall in the intended location. Next the brackets are removed from the speakers by loosening the screws as shown in the figure, and fixed to the wall with screws (not supplied). The speaker with brackets is next slid inside the wall mount bracket, and the side mounting screws are fitted. The speakers are tilted to the desired vertical angle, and the screws are tightened.

Fig. 1

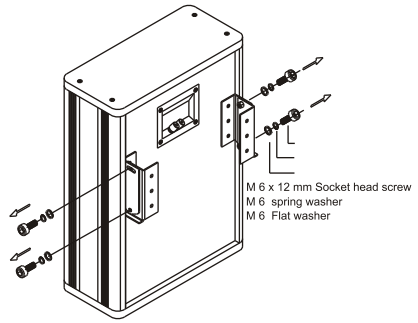
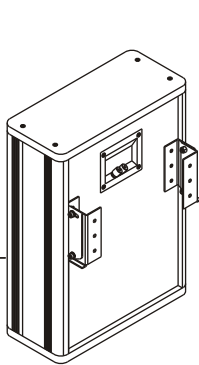
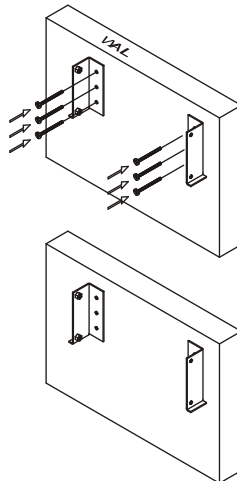
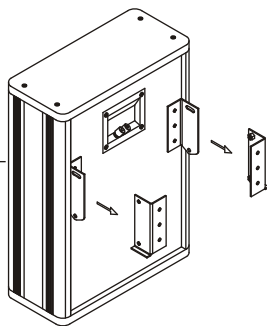


Fig. 2



● mounting ●

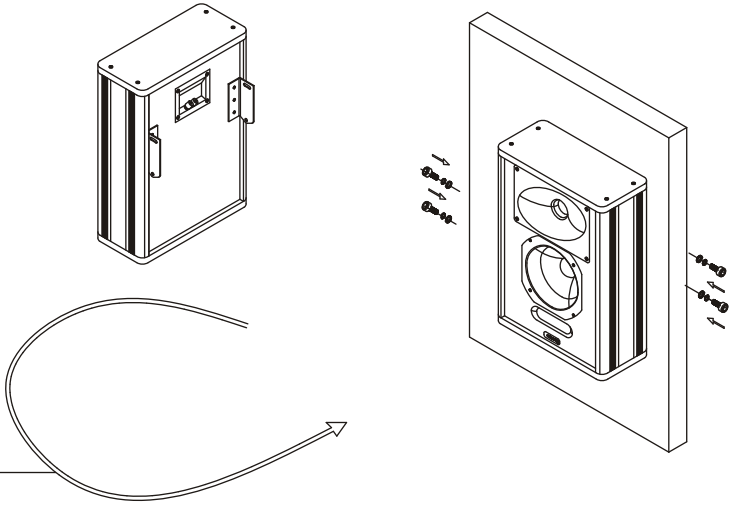


Fig. 3

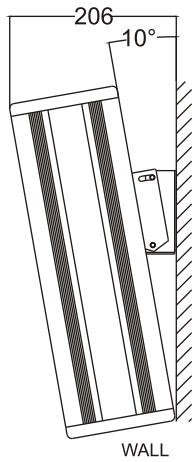
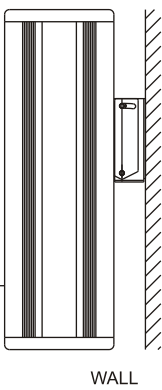
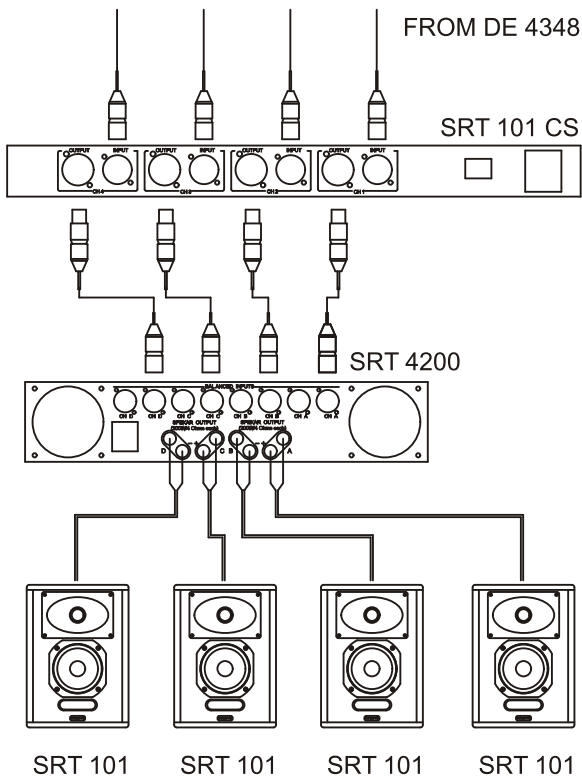


Fig. 4

# connections ●

The SRT 101 speaker has a colour-coded gold-plated binding post type speaker terminal on the rear panel. Connect the speaker outputs of the amplifier to these terminals. The input of the amplifier should be driven from the SRT 101CS. This is illustrated in the diagram below



For cable selection, use the following chart to arrive at the proper gauge of cable depending upon the length of the connection. A 6-core or 6 single-core cables are required.

Upto 5 m: 23/36 multi-strand copper wire (23 strands of 36 SWG wire), equivalent to 0.65 square mm

5-10 m: 40/36 multi-strand copper wire (40 strands of 36 SWG wire), equivalent to 1.16 square mm

10-20 m: 70/36 multi-strand copper wire (70 strands of 36 SWG wire), equivalent to 2.08 square mm

# ● specifications ●

DESCRIPTION	2-way shallow profile surround speaker system
TRANSDUCER COMPLEMENTS	LF: 6" Kevlar cone woofer HF: 26 mm silk-dome neo-magnet tweeter with waveguide
ENCLOSURE TYPE	Bass-reflex, through front-firing aerodynamic port
OVERALL FREQUENCY RESPONSE	80 Hz ~ 20 kHz, $\pm 2$ dB (with SRT 101CS)
USEABLE FREQUENCY RESPONSE	63 Hz ~ 22 kHz, $\pm 2$ dB (with SRT 101CS)
RECOMMENDED AMPLIFIER	SRT 4200, or 120 watt @ 8 $\Omega$
NOMINAL IMPEDANCE	8 $\Omega$
SPL 1W/1M	90 dB
INPUT	Colour-coded binding posts mounted in plastic cup
DIMENSION (H x W x D) mm	300 x 420 x 135 (without bracket)

*Due to continuous improvements, all specifications are subject to change*



A product of the **Mukherjee Innovation Centre**

Manufactured by Sonodyne, India    H.O.: 98 NB Block E New Alipore, Kolkata 700053, INDIA  
response@sonodyne.com    www.sonodyne.com

Visit SONODYNE INDIA for  
exciting offers & promotions

