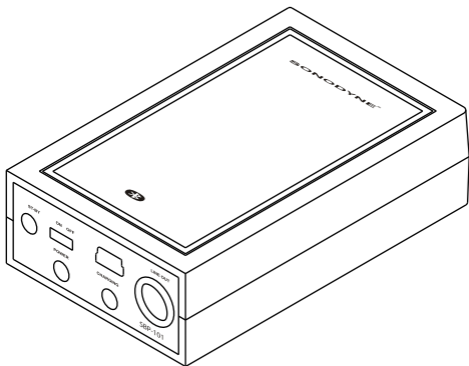


# SBP 101

stereo audio bluetooth receiver | owners manual



**SONODYNE**®

# Introduction

---

The SBP-101 is a high-quality stereo audio bluetooth receiver. It provides stereo line level analog output when audio tracks are played via bluetooth from a laptop, smart-phone, tablet etc.

# Audio Connection

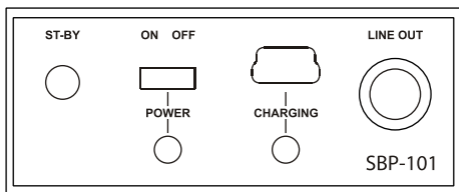
---

The audio output is a 3.5 mm stereo EP socket

To connect easily to your amplifier/ active speaker using stereo RCA, we have included an EP to RCA adapter

# Placement

The unit has four magnets fitted inside allowing you to attach this to any steel surface, either vertically or horizontally.



# Operations

---

1. Turn power switch 'ON'
2. Press and hold the "St By" switch for a few seconds
3. Power LED will be a slowly blinking green (1 sec off, 2 sec on), this means that the unit is powered up
4. Press the "St By" again to enter pairing mode; now the Power LED will be blinking red and green - this means the unit is ready to pair
5. Please find 'SONODYNE' on your Bluetooth source and pair
6. After pairing, the Power LED will be a blinking green again (flash every 2 sec)

# Charging

---

The in-built battery will last 6-8 hours on continuous play before it discharges.

To charge it, connect it to a power source to avoid discharge; a standard mains USB charger can be used. You may also charge it by connecting it to your computer using a standard USB-B type to USB mini-B type cable.

The yellow LED marked "Charging" will glow when a charging source is connected. To charge, keep the power switch in ON position. The power LED will also glow (red colour). This indicates that the battery is being charged.

There is an in-built charge control which will stop the charging process once the battery is fully charged. A fully discharged battery will take 2 - 2 1/2 hours to charge fully. It is advisable to remove the charging source once the battery is fully charged.

If you are not using the unit for a long time, keep the power switch in OFF position.

# Specifications

---

BLUETOOTH MODULE	BC5-MM CSR MODULE
BLUETOOTH VERSION	3.0
SUPPORTED CLASS	2.0
SUPPORTED PROFILE	A2DP V1.2
SUPPORTED CODEC	SBC
OUTPUT VOLTAGE	2 VOLT MAX
POWER SOURCE	BUILT-IN RECHARGEABLE 3.7V Li-On BATTERY
DIMENSIONS (HxWxD)mm	27 x 60 x 96
EXTERNAL CHARGER	5V USB - Mains



A product of the **Mukherjee Innovation Centre**

Manufactured by **Sonodyne Electronics Co. Pvt. Ltd.**, H.O.: 98 NB Block E New Alipore, Kolkata 700053, INDIA  
response@sonodyne.com • www.sonodyne.com

Visit SONODYNE INDIA for  
exciting offers & promotions

